

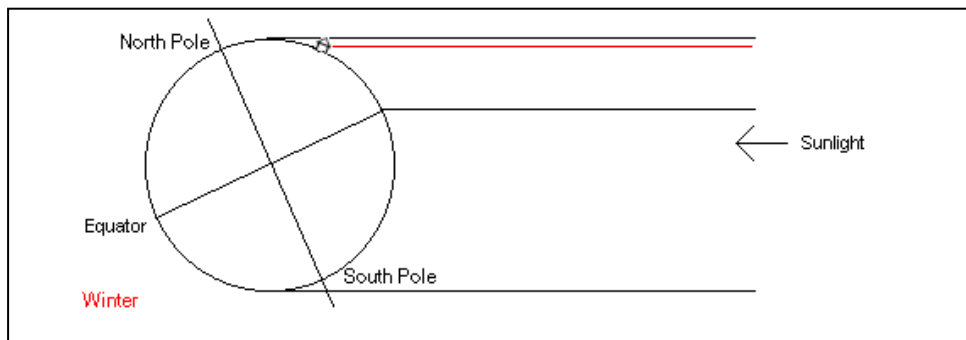
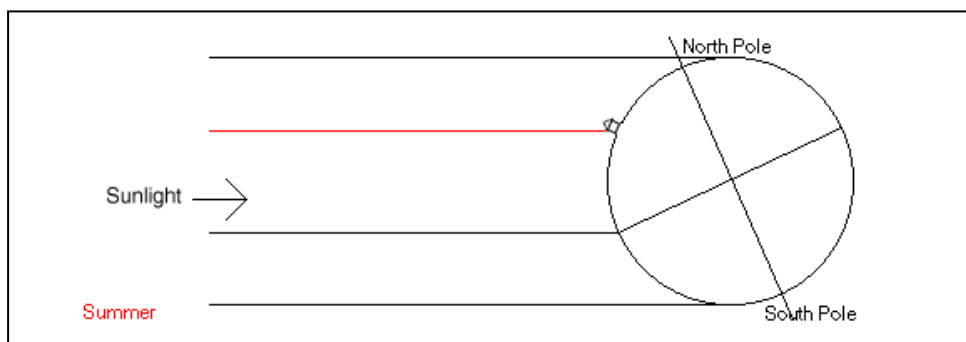
## Passive Solar Architecture

1. On which wall would you put the largest windows in a house?

.....

Why? .....

.....



2. Using the diagrams above, decide why is it useful to plant deciduous trees along the south facing wall of a house?

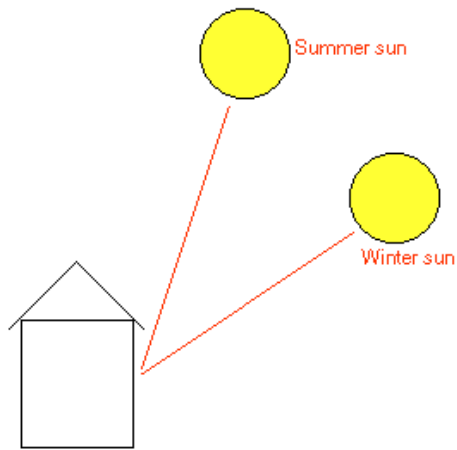
.....

.....

.....

3. Which aspect of your house would you plant trees if you lived in Australia?

.....



4. Using the above diagram, decide how having a roof which is wider than the walls of a house would keep it cool in summer?

.....

.....

.....

.....

5. Should the ridge of the roof run north-south or east-west and why?

.....

.....

.....